



AUTOMATIC VALVES

KOREA CONTROL Co., Ltd.

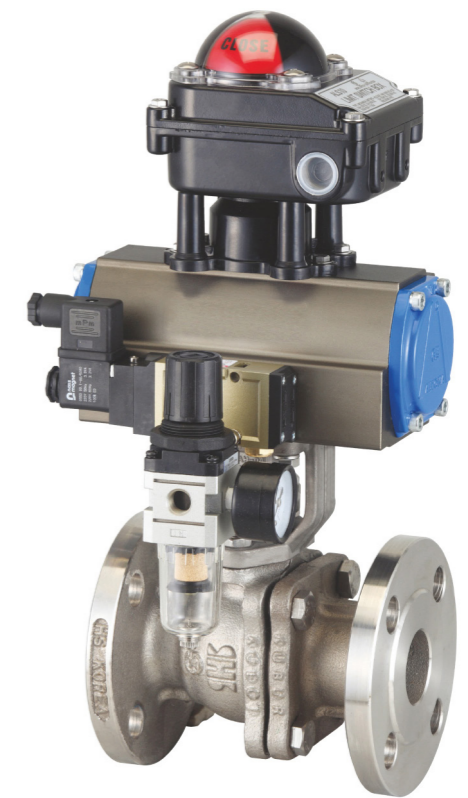
179-3, Gojan-dong, Namdong-gu, Incheon, Korea(405-816)

TEL : +82-32-322-5100

FAX : +82-32-431-5060

E-mail : cando001@naver.com

Website : www.koreacontrol.co.kr



Hologram shall be put on all products manufactured in the factory.



CONTENTS

FLANGE BALL VALVE-DOUBLE ACTING

FLANGE BALL VALVE-SINGLE ACTING

BUTTERFLY VALVE-DOUBLE ACTING

BUTTERFLY VALVE-SINGLE ACTING

FLANGED BALL VALVE - DOUBLE ACTING

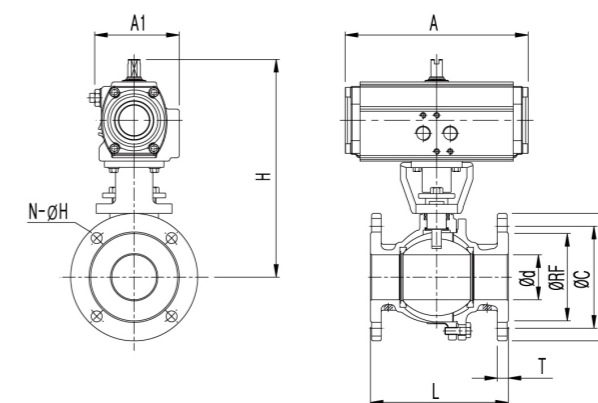
ROTARY ACTUATOR



Specification

| | | | |
|--------------------|--|------------------------|---------------------------------|
| Valve Size | 15A ~ 250A | | |
| Actuator Model | AD50 ~ AD200 | | |
| Actuator Type | Double Acting | | |
| Operating Media | Compressed Dry Air | | |
| Operating Pressure | 4 ~ 7 kg/cm ² | | |
| Rotating Angle | 90° ±5° | | |
| Fluid Temperature | -10°C ~ 90°C (-10°C ~ 150°C) | | |
| Rating | JIS10K (20K) (40K) | ANSI150# (300#) (600#) | |
| Body Material | SCS12 (SCS14) / Body | SUS304 (SUS316) / Ball | PTFE (RTFE, PEEK, METAL) / Seat |
| Accessory | Solenoid Valve, Air filter Regulator, Limit Switch Box, E/P Positioner | | |

※ () Option



Dimension

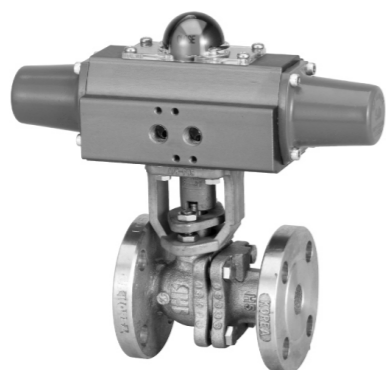
(mm)

| Model | Size | | A | A1 | H (Approx) | L | END CONNECTION (JIS 10K RF) | | | | | |
|------------|------|--------|-----|-----|---------------|-----|-----------------------------|-----|-----|-----|-----|-------|
| | mm | inch | | | | | T | Ød | ØRF | ØC | ØD | N-ØH |
| AD50-15F | 15A | 1/2" | 162 | 75 | 181 | 108 | 12 | 15 | 52 | 70 | 95 | 4-15 |
| AD50-20F | 20A | 3/4" | 162 | 75 | 184 | 117 | 14 | 20 | 58 | 75 | 100 | 4-15 |
| AD50-25F | 25A | 1" | 162 | 75 | 211 | 127 | 14 | 25 | 70 | 90 | 125 | 4-19 |
| AD65-32F | 32A | 1-1/4" | 202 | 89 | 217 | 140 | 16 | 32 | 80 | 100 | 135 | 4-19 |
| AD65-40F | 40A | 1-1/2" | 202 | 89 | 238 | 165 | 16 | 40 | 85 | 105 | 140 | 4-19 |
| AD65-50F | 50A | 2" | 202 | 89 | 246 | 178 | 16 | 50 | 100 | 120 | 155 | 4-19 |
| AD80-65F | 65A | 2-1/2" | 262 | 101 | 270 | 190 | 18 | 65 | 120 | 140 | 175 | 4-19 |
| AD80-80F | 80A | 3" | 262 | 101 | 313 | 203 | 18 | 80 | 130 | 150 | 185 | 8-19 |
| AD100-100F | 100A | 4" | 311 | 129 | 347 | 229 | 18 | 100 | 155 | 175 | 210 | 8-19 |
| AD125-125F | 125A | 5" | 390 | 151 | 462 | 356 | 20 | 125 | 185 | 210 | 250 | 8-23 |
| AD140-150F | 150A | 6" | 431 | 164 | 501 | 394 | 22 | 150 | 215 | 240 | 280 | 8-23 |
| AD160-200F | 200A | 8" | 506 | 189 | 579 | 457 | 22 | 200 | 265 | 290 | 330 | 12-23 |
| AD200-250F | 250A | 10" | 605 | 231 | 753 | 533 | 24 | 250 | 325 | 355 | 400 | 12-25 |

※ Actuator 250, 300 : Option

FLANGED BALL VALVE - SINGLE ACTING

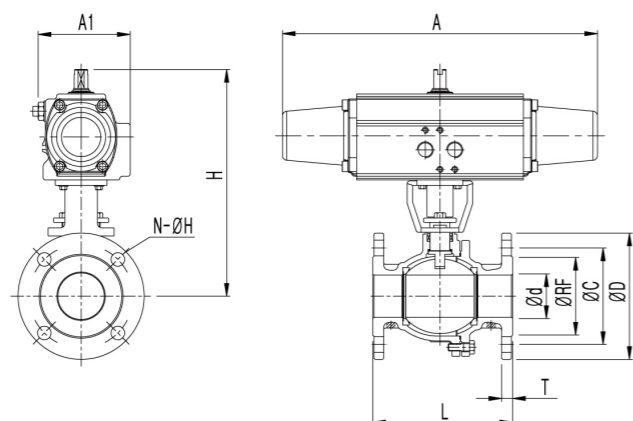
ROTARY ACTUATOR



Specification

| | | | |
|--------------------|--|------------------------|---------------------------------|
| Valve Size | 15A ~ 250A | | |
| Actuator Model | AS50 ~ AS200 | | |
| Actuator Type | Single Acting (Spring Return) | | |
| Operating Media | Compressed Dry Air | | |
| Operating Pressure | 4.5 ~ 7 kg/cm ² | | |
| Rotating Angle | 90° ±5° | | |
| Fluid Temperature | -10°C ~ 90°C (-10°C ~ 150°C) | | |
| Rating | JIS10K (20K) (40K) | ANSI150# (300#) (600#) | |
| Body Material | SCS13 (SCS14) / Body | SUS304 (SUS316) / Ball | PTFE (RTFE, PEEK, METAL) / Seat |
| Accessory | Solenoid Valve, Air filter Regulator, Limit Switch Box, E/P Positioner | | |

※ () Option



Dimension

(mm)

| Model | Size | | A | A1 | H (Approx) | L | END CONNECTION (JIS 10K RF) | | | | | |
|------------|------|--------|-----|-----|------------|-----|-----------------------------|-----|-----|-----|-----|-------|
| | mm | inch | | | | | T | Ød | ØRF | ØC | ØD | N-ØH |
| AS50-15F | 15A | 1/2" | 257 | 75 | 181 | 108 | 12 | 15 | 52 | 70 | 95 | 4-15 |
| AS50-20F | 20A | 3/4" | 257 | 75 | 184 | 117 | 14 | 20 | 58 | 75 | 100 | 4-15 |
| AS50-25F | 25A | 1" | 314 | 89 | 193 | 127 | 14 | 25 | 70 | 90 | 125 | 4-19 |
| AS65-32F | 32A | 1-1/4" | 314 | 89 | 217 | 140 | 16 | 32 | 80 | 100 | 135 | 4-19 |
| AS65-40F | 40A | 1-1/2" | 314 | 89 | 238 | 165 | 16 | 40 | 85 | 105 | 140 | 4-19 |
| AS65-50F | 50A | 2" | 430 | 101 | 261 | 178 | 16 | 50 | 100 | 120 | 155 | 4-19 |
| AS80-65F | 65A | 2-1/2" | 430 | 101 | 270 | 190 | 18 | 65 | 120 | 140 | 175 | 4-19 |
| AS80-80F | 80A | 3" | 500 | 129 | 333 | 203 | 18 | 80 | 130 | 150 | 185 | 8-19 |
| AS100-100F | 100A | 4" | 606 | 151 | 368 | 229 | 18 | 100 | 155 | 175 | 210 | 8-19 |
| AS125-125F | 125A | 5" | 682 | 164 | 480 | 356 | 20 | 125 | 185 | 210 | 250 | 8-23 |
| AS140-150F | 150A | 6" | 781 | 189 | 525 | 394 | 22 | 150 | 215 | 240 | 280 | 8-23 |
| AS160-200F | 200A | 8" | 982 | 231 | 647 | 457 | 22 | 200 | 265 | 290 | 330 | 12-23 |

※ Actuator 250, 300 : Option

BUTTERFLY VALVE - DOUBLE ACTING

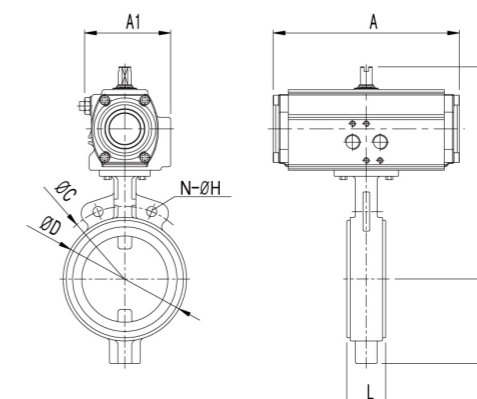
ROTARY ACTUATOR



Specification

| | | | |
|--------------------|--|----------------------|--------------------|
| Valve Size | 40A ~ 600A | | |
| Actuator Model | AD50 ~ AD200 | | |
| Actuator Type | Double Acting | | |
| Operating Media | Compressed Dry Air | | |
| Operating Pressure | 4 ~ 7 kg/cm ² | | |
| Rotating Angle | 90° ±5° | | |
| Fluid Temperature | 0°C ~ 85°C (-20°C ~ 200°C) | | |
| Rating | JIS10K Wafer | ANSI150# Wafer | |
| Body Material | FC (SCS13) / Body | SCS13 (SUS14) / Disc | EPDM (MTFE) / Seat |
| Accessory | Solenoid Valve, Air filter Regulator, Limit Switch Box, E/P Positioner | | |

※ () Option



Dimension

(mm)

| Model | Size | | A | A1 | H (Approx) | H1 | L | END CONNECTION (JIS 10K WAFER) | | |
|-------------|------|--------|-----|-----|------------|-----|-----|--------------------------------|-----|-------|
| | mm | inch | | | | | | ØD | ØC | N-ØH |
| AD50-40BF | 40A | 1-1/2" | 162 | 75 | 215 | 58 | 41 | 86 | 105 | 4-19 |
| AD50-50BF | 50A | 2" | 162 | 75 | 217 | 65 | 43 | 105 | 120 | 4-19 |
| AD50-65BF | 65A | 2-1/2" | 162 | 75 | 227 | 71 | 46 | 114 | 140 | 4-19 |
| AD65-80BF | 80A | 3" | 202 | 89 | 256 | 83 | 46 | 129 | 150 | 8-19 |
| AD65-100BF | 100A | 4" | 202 | 89 | 270 | 100 | 52 | 155 | 175 | 8-19 |
| AD80-125BF | 125A | 5" | 262 | 101 | 300 | 110 | 56 | 180 | 210 | 8-23 |
| AD80-150BF | 150A | 6" | 262 | 101 | 314 | 130 | 56 | 207 | 240 | 8-23 |
| AD100-200BF | 200A | 8" | 311 | 129 | 390 | 163 | 60 | 260 | 290 | 12-23 |
| AD100-250BF | 250A | 10" | 311 | 129 | 428 | 227 | 68 | 331 | 355 | 12-23 |
| AD125-300BF | 300A | 12" | 390 | 151 | 482 | 252 | 78 | 377 | 400 | 16-25 |
| AD140-350BF | 350A | 14" | 431 | 164 | 510 | 272 | 78 | 416 | 445 | 16-25 |
| AD160-400BF | 400A | 16" | 506 | 189 | 585 | 343 | 102 | 475 | 510 | 16-25 |
| AD160-450BF | 450A | 18" | 506 | 189 | 625 | 366 | 114 | 535 | 565 | 20-27 |
| AD200-500BF | 500A | 20" | 605 | 231 | 783 | 421 | 127 | 590 | 620 | 20-27 |
| AD200-600BF | 600A | 24" | 605 | 231 | 870 | 493 | 154 | 695 | 730 | 24-33 |

※ Actuator 250, 300 : Option

BUTTERFLY VALVE - SINGLE ACTING

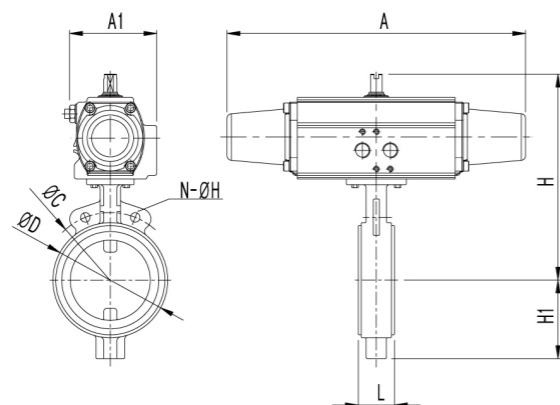
ROTARY ACTUATOR



Specification

| | | | |
|--------------------|--|----------------------|--------------------|
| Valve Size | 40A ~ 600A | | |
| Actuator Model | AS50 ~ AS200 | | |
| Actuator Type | Single Acting (Spring Return) | | |
| Operating Media | Compressed Dry Air | | |
| Operating Pressure | 4.5 ~ 7 kg/cm ² | | |
| Rotating Angle | 90° ±5° | | |
| Fluid Temperature | 0°C ~ 85°C (-20°C ~ 200°C) | | |
| Rating | JIS10K Wafer | ANSI150# Wafer | |
| Body Material | FC (SCS13) / Body | SCS13 (SUS14) / Disc | EPDM (MTFE) / Seat |
| Accessory | Solenoid Valve, Air filter Regulator, Limit Switch Box, E/P Positioner | | |

※ () Option



Dimension

(mm)

| Model | Size | | A | A1 | H (Approx) | H1 | L | END CONNECTION (JIS 10K WAFER) | | |
|-------------|------|--------|-----|-----|---------------|-----|-----|--------------------------------|-----|-------|
| | mm | inch | | | | | | ØD | ØC | N-ØH |
| AS50-40BF | 40A | 1-1/2" | 257 | 75 | 215 | 58 | 41 | 86 | 105 | 4-19 |
| AS50-50BF | 50A | 2" | 257 | 75 | 217 | 65 | 43 | 105 | 120 | 4-19 |
| AS65-65BF | 65A | 2-1/2" | 314 | 89 | 250 | 71 | 46 | 114 | 140 | 4-19 |
| AS65-80BF | 80A | 3" | 314 | 89 | 256 | 83 | 46 | 129 | 150 | 8-19 |
| AS80-100BF | 100A | 4" | 430 | 101 | 287 | 100 | 52 | 155 | 175 | 8-19 |
| AS80-125BF | 125A | 5" | 430 | 101 | 300 | 110 | 56 | 180 | 210 | 8-23 |
| AS100-150BF | 150A | 6" | 500 | 129 | 334 | 130 | 56 | 207 | 240 | 8-23 |
| AS100-200BF | 200A | 8" | 500 | 129 | 390 | 163 | 60 | 260 | 290 | 12-23 |
| AS125-250BF | 250A | 10" | 606 | 151 | 455 | 227 | 68 | 331 | 355 | 12-25 |
| AS140-300BF | 300A | 12" | 682 | 164 | 500 | 252 | 78 | 377 | 400 | 16-25 |
| AS160-350BF | 350A | 14" | 781 | 189 | 544 | 272 | 78 | 416 | 445 | 16-25 |
| AS160-400BF | 400A | 16" | 781 | 189 | 585 | 343 | 102 | 475 | 510 | 16-27 |
| AS200-450BF | 450A | 18" | 982 | 231 | 704 | 366 | 114 | 535 | 565 | 20-27 |
| AS200-500BF | 500A | 20" | 982 | 231 | 780 | 421 | 127 | 590 | 620 | 20-27 |

※ Actuator 250, 300 : Option

